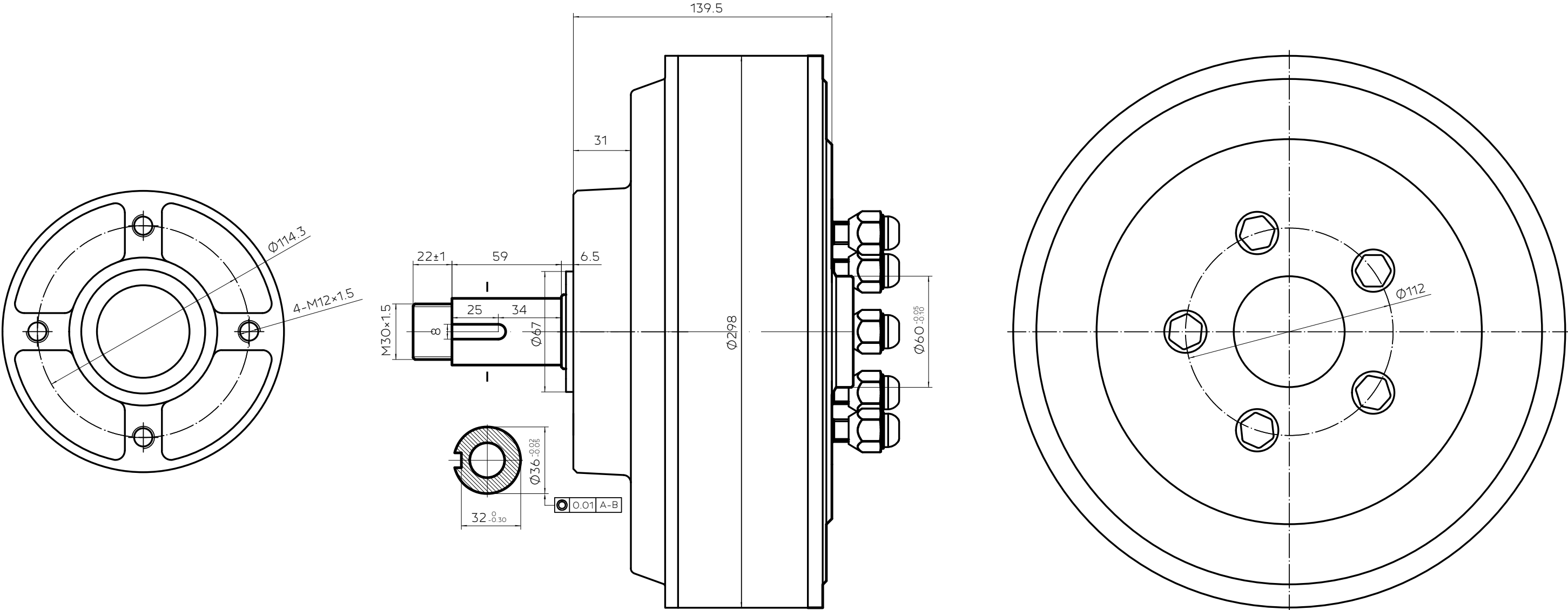


# MWM In-wheel 196 Hub Motor



**Universal parts (borrowed parts) registration**

|                                   |
|-----------------------------------|
| Traced drawing                    |
|                                   |
| CAD Drafting                      |
|                                   |
| Old underlying graph total number |
|                                   |
| Underlying graph total number     |
|                                   |
| Signature                         |
|                                   |
| Date                              |
|                                   |

**Technical Parameters**

- 1. Voltage:
- 2. Power:
- 3. Speed:

**MWM In-Wheel 196 Hub Motor**

|            |        |                 |           |      |
|------------|--------|-----------------|-----------|------|
|            |        |                 |           |      |
|            |        |                 |           |      |
| Marking    | Places | Revised Doc No. | Signature | Date |
| Design     |        | Standardization |           |      |
| Drawings   |        | Technology      |           |      |
| Checked by |        | Approved by     |           |      |